



**DURABLE**  
CORPORATION  
SINCE 1923

**GRAND-STAND BEAUTY & BARBER**  
**ANTI-FATIGUE MATTING**



Custom made mats feature a long wearing rubber surface bonded to a resilient rubber foam base. Built-in beveled edge base adds an extra measure of safety and virtually eliminates tripping. The most comfortable cushion available to the beauty and barber market.

**Material:** 3/32" Thermoset Vulcanized Rubber (SR) surface bonded to a foam base

**Thickness:** Deluxe, 1/2"

**Surface:** Smooth

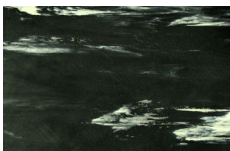
**Warranty:** 2 year replacement warranty against defects in material and workmanship under normal usage and wear.

**NOTE:** This warranty applies to identical replacement and does not cover damage from chairs, stools, tables, heavy equipment or high heels.

**Deluxe Sizes 1/2" Thick**

Item NO.	Size	Shape	Weight
238BB3654	36" x 54"	Rectangle	24 lbs.ea.
238BBR3654	36" x 54"	Circle	24 lbs.ea.
238BB3660	36" x 60"	Rectangle	27 lbs.ea.
238BBR64	36" x 64"	Circle	27 lbs.ea.
238BBR3672	36" x 72"	Circle	32 lbs.ea.

**Colors:**



Marble Black



Marble Blue

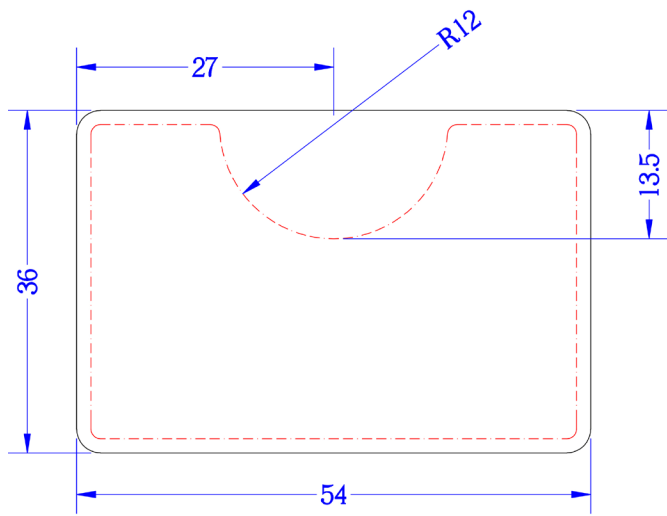


Marble Gray

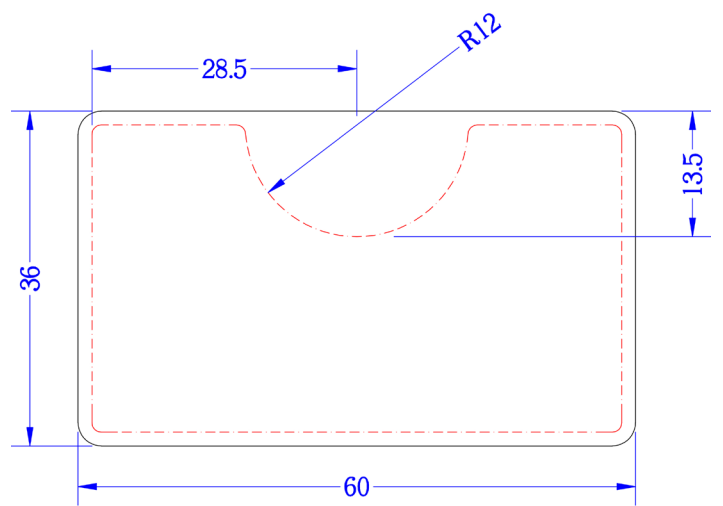


800-537-1603 • Local 419-668-8138 • Fax: 800-537-6287 • Local Fax 419-668-8068  
www.durablecorp.com • sales@durablecorp.com

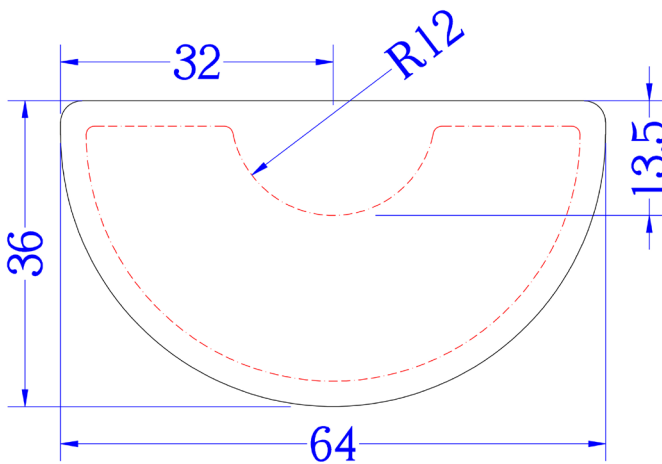
# Salon Mat Drawings



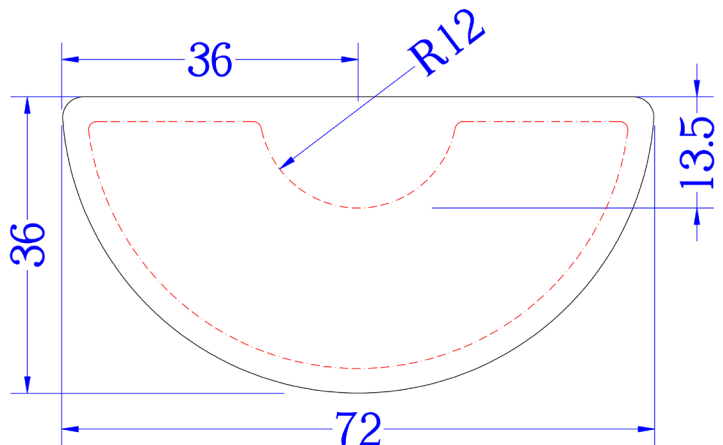
36x54



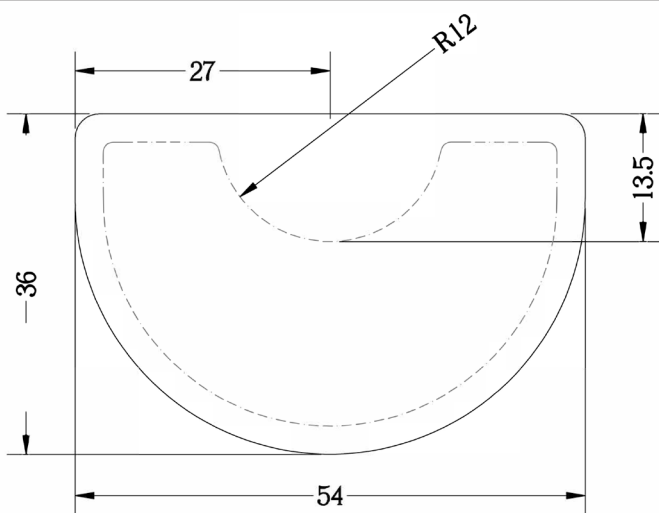
36x60



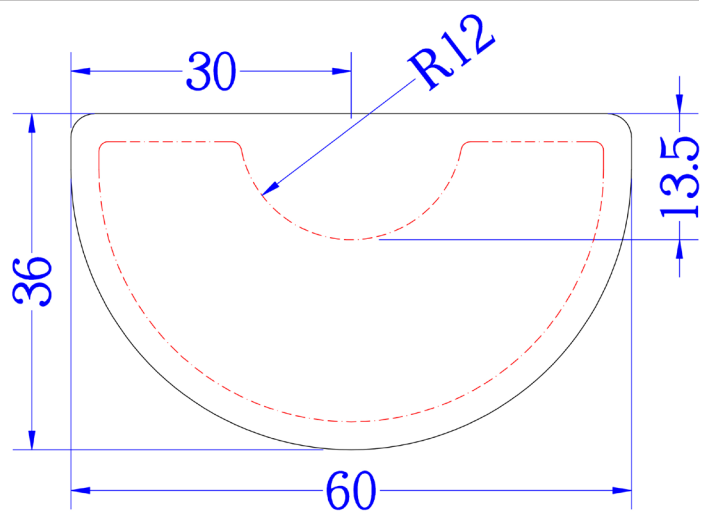
36x64  
Half Round



36x72  
Half Round



36x54  
Half Round



36x60  
Half Round