

Durable Corporation  
(800) 537-1603

Model: B5512-18-IDSP1

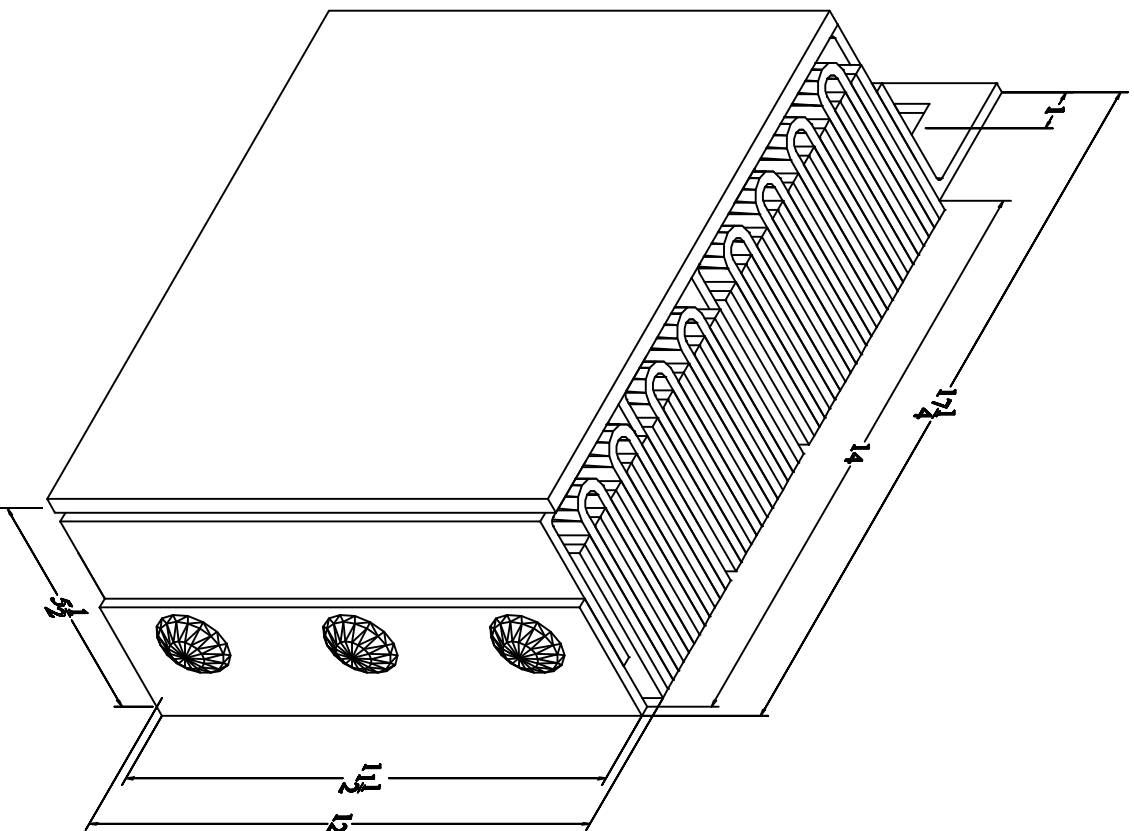
MODEL: B5512-18-IDSP1

*Size*  
Projection 5-1/2"  
Height 12"

*Length*  
-Overall 17-1/4"  
-Rubber 14"  
Angle Size 1/4"x3"x3"x11-1/2"  
Plate Size 1/4"x4"x11-1/2"  
Slot Angle Size 1/4"x3"x4"x11-1/2"  
Face Plate Size 3/8"x12"x13-1/2"

Date: 11/02/15

All measurements are within +/- 1/8"



Confidential -- Property of Durable Corporation