

Durable Corporation  
(800) 537-1603

Model: D-4-24

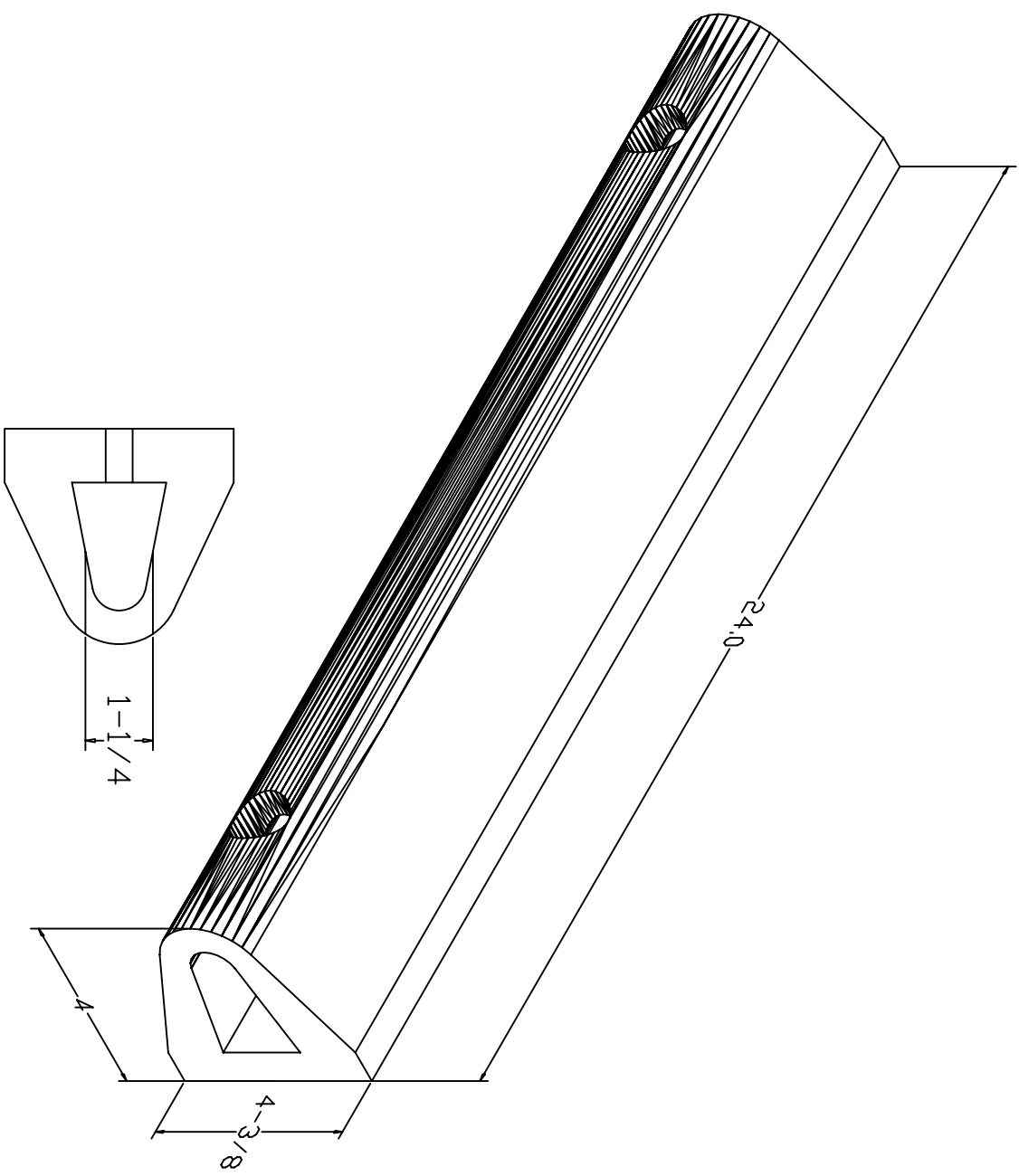
MODEL: D-4-24  
EXTRUDED BUMPER

Size

Overall Length	24"
Overall Thickness	4"
Height	4-3/8"
Bolt Size	1/2 x 3"
Total Weight	11 lbs

Date: 04/07/04  
Scale: Full

Please Note:  
-Weights are calculated and are not  
actual and overall tolerance may vary + or - 1/4.



SIDE VIEW