

Durable Corporation
(800) 537-1603

Model: D-2

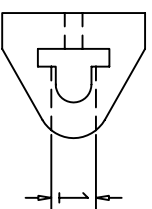
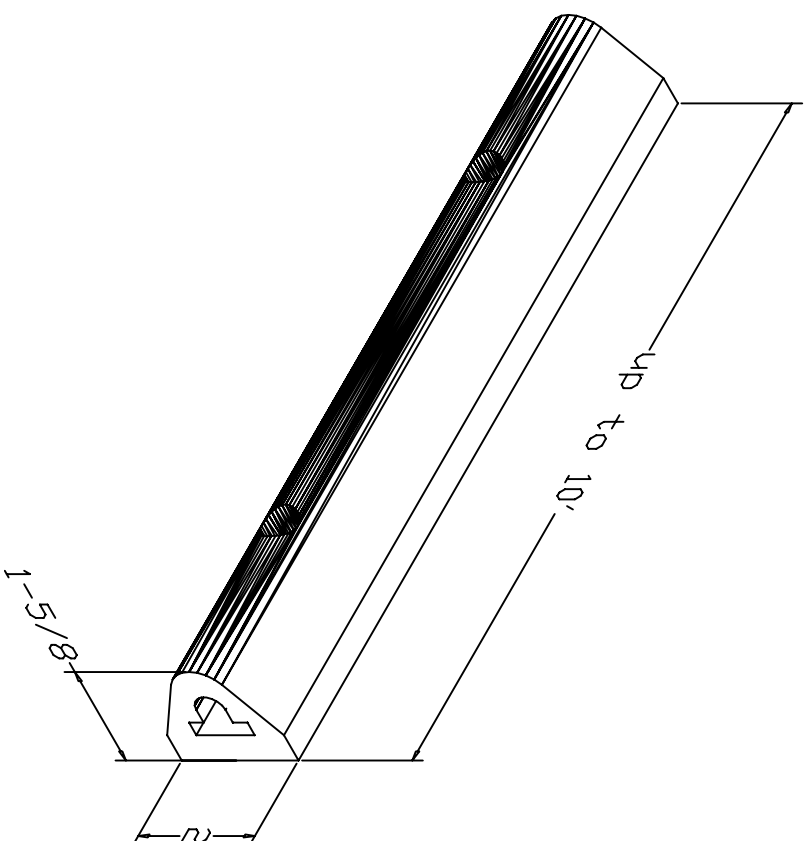
MODEL: D-2
EXTRUDED BUMPER

Size

Overall Length	up to 10'
Overall Thickness	1-5/8"
Height	2"
Bolt Size	1/4 x 2"
Total Weight	1.4 lbs/ft

Date: 8/9/99
Scale: Full

Please Note:
-Weights are calculated and are not
actual and overall tolerance may vary + or - 1/4.



SIDE VIEW